

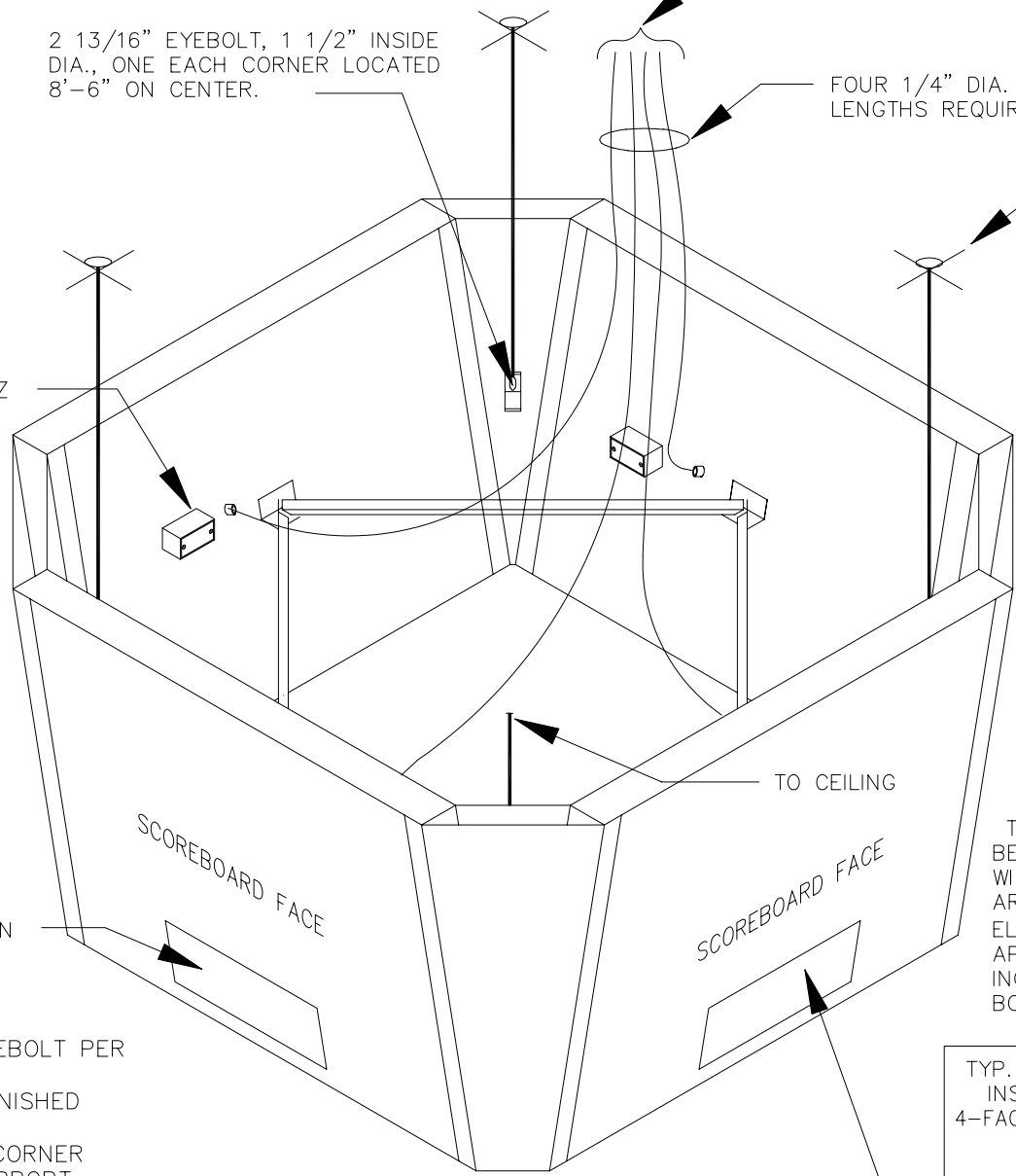
2 13/16" EYEBOLT, 1 1/2" INSIDE DIA., ONE EACH CORNER LOCATED 8'-6" ON CENTER.

CEILING JUNCTION BOX

FOUR 1/4" DIA. CABLES ORDER LENGTHS REQUIRED FROM NEVCO.

CEILING LINE


4" X 2 1/8" X 2 1/8" BOX FOR ELECTRICAL POWER SERVICE REQUIRED TO EACH FACE 120V, 5A, 50/60HZ

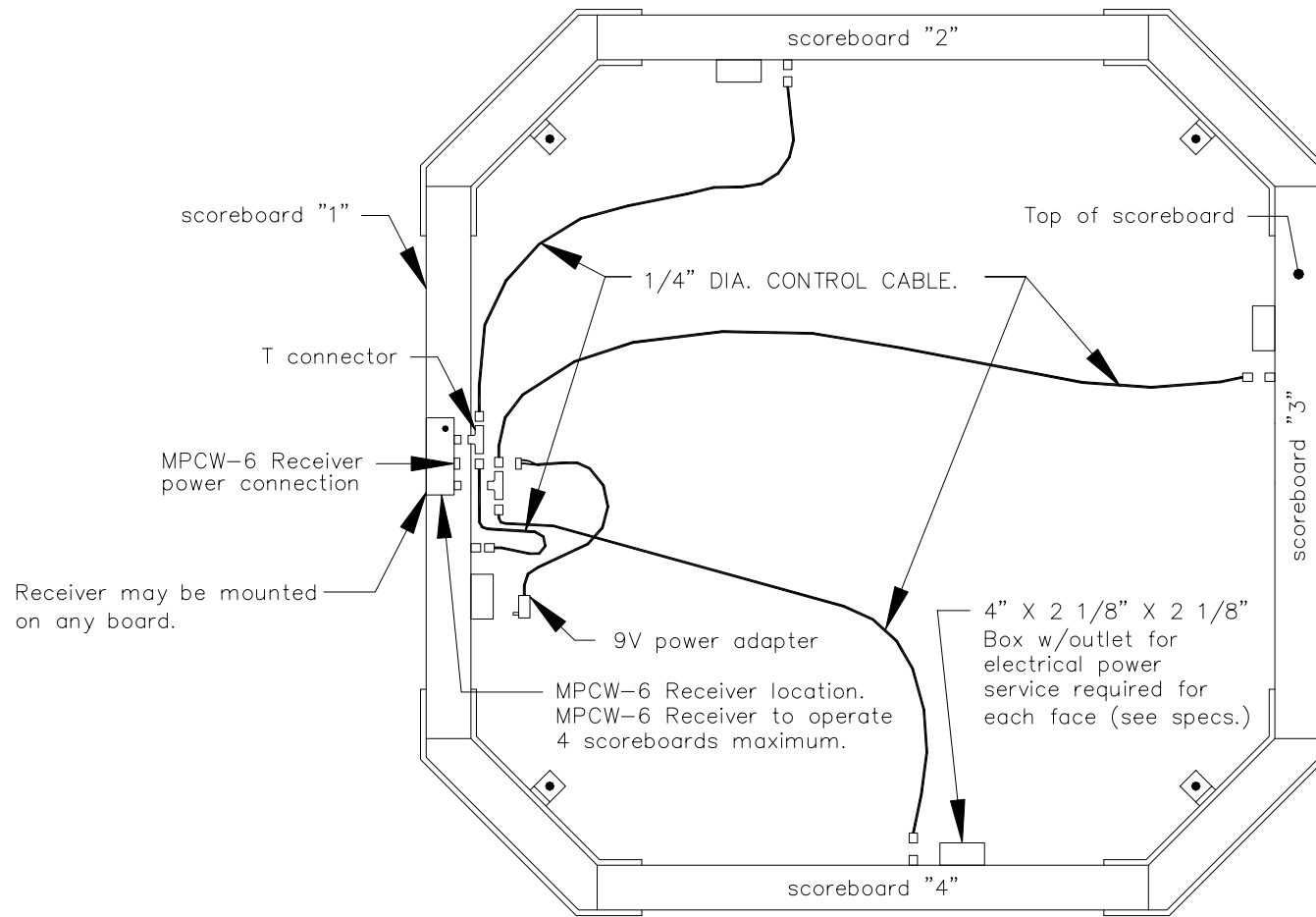


THIS SCOREBOARD IS INTENDED TO BE INSTALLED IN ACCORDANCE WITH THE REQUIREMENTS OF ARTICLE 600 OF THE NATIONAL ELECTRICAL CODE AND/OR OTHER APPLICABLE LOCAL CODES. THIS INCLUDES PROPER GROUNDING AND BONDING OF THE SCOREBOARD.

NOTES

1. MAKE CONNECTION TO EYEBOLT PER OWNER'S SPECIFICATIONS.
2. ANCHORS AT CEILING FURNISHED BY OWNER.
3. WIRE ROPE CABLE EACH CORNER SIZE AS REQUIRED TO SUPPORT SCOREBOARD. CABLE FURNISHED BY OWNER.


TYP. PERMANENT INSTALLATION 4-FACE-2500-A4-D		 NEVCO SCOREBOARD CO. GREENVILLE, ILLINOIS 62246
DRAWN HW	DATE 4/28/98	SHEET 1 OF 1

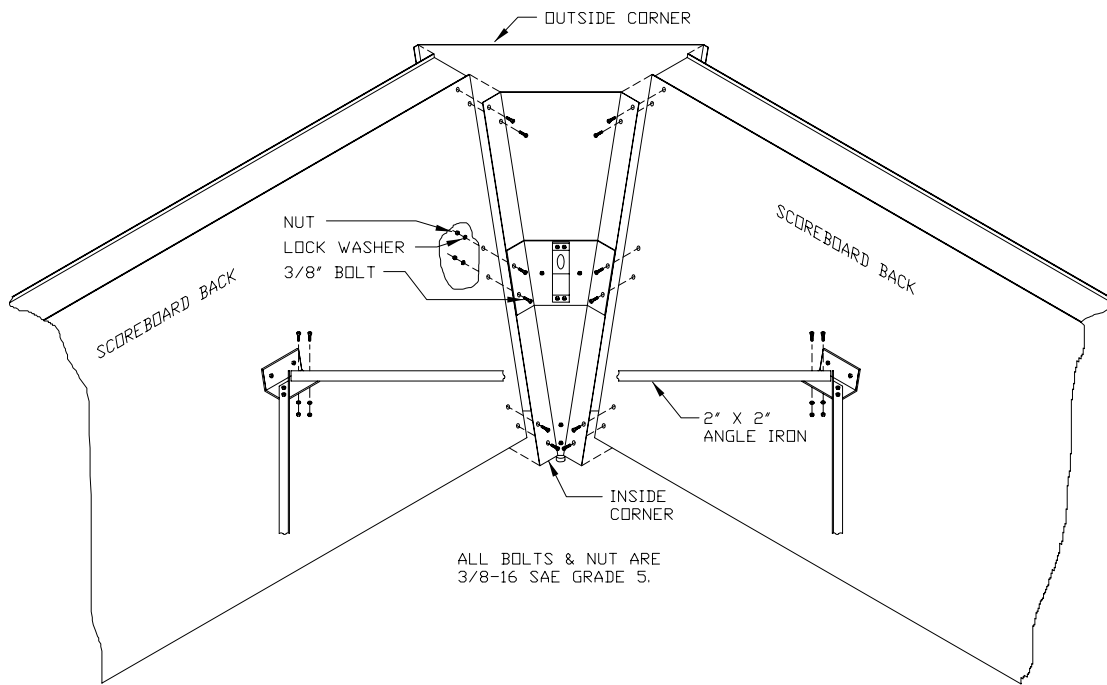


MPCW-6 RECEIVER TOP
VIEW OF 4-FACE SCOREBOARD

NOTES:

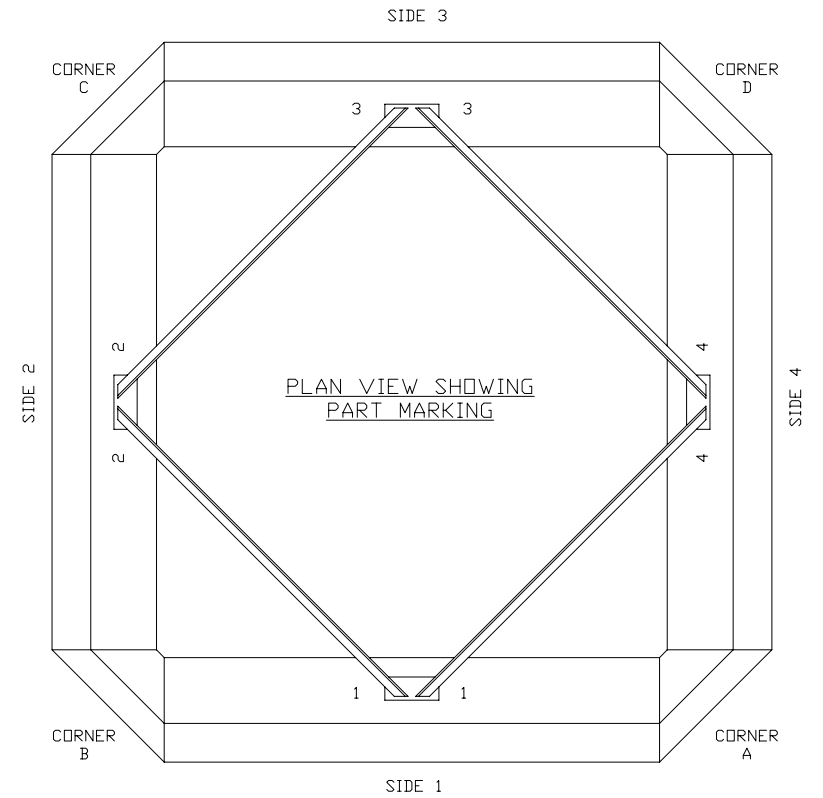
1. If a sign is added to the top of the scoreboard the receiver must be placed on top of the sign.
2. Use power adapter extension if signs are mounted to the top of scoreboard.
3. To independently operate each scoreboard face, each face must have its own MPCW receiver.

RECEIVER MOUNTING DETAIL, 4-FACE SCOREBOARD W/1 MPCW-6 RECEIVER		 NEVCO SCOREBOARD CO. GREENVILLE, ILLINOIS 62246
DRAWN BMK	DATE 11/01/04	SHEET 1 OF 1

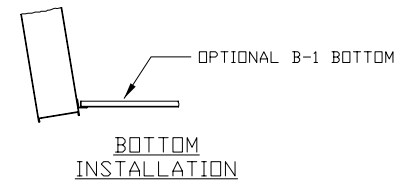


ALL BOLTS & NUT ARE
3/8-16 SAE GRADE 5.

CORNER ASSEMBLY DETAIL



PLAN VIEW SHOWING
PART MARKING



BOTTOM
INSTALLATION

TYP. ASSEMBLY
4-FACE
SCOREBOARD

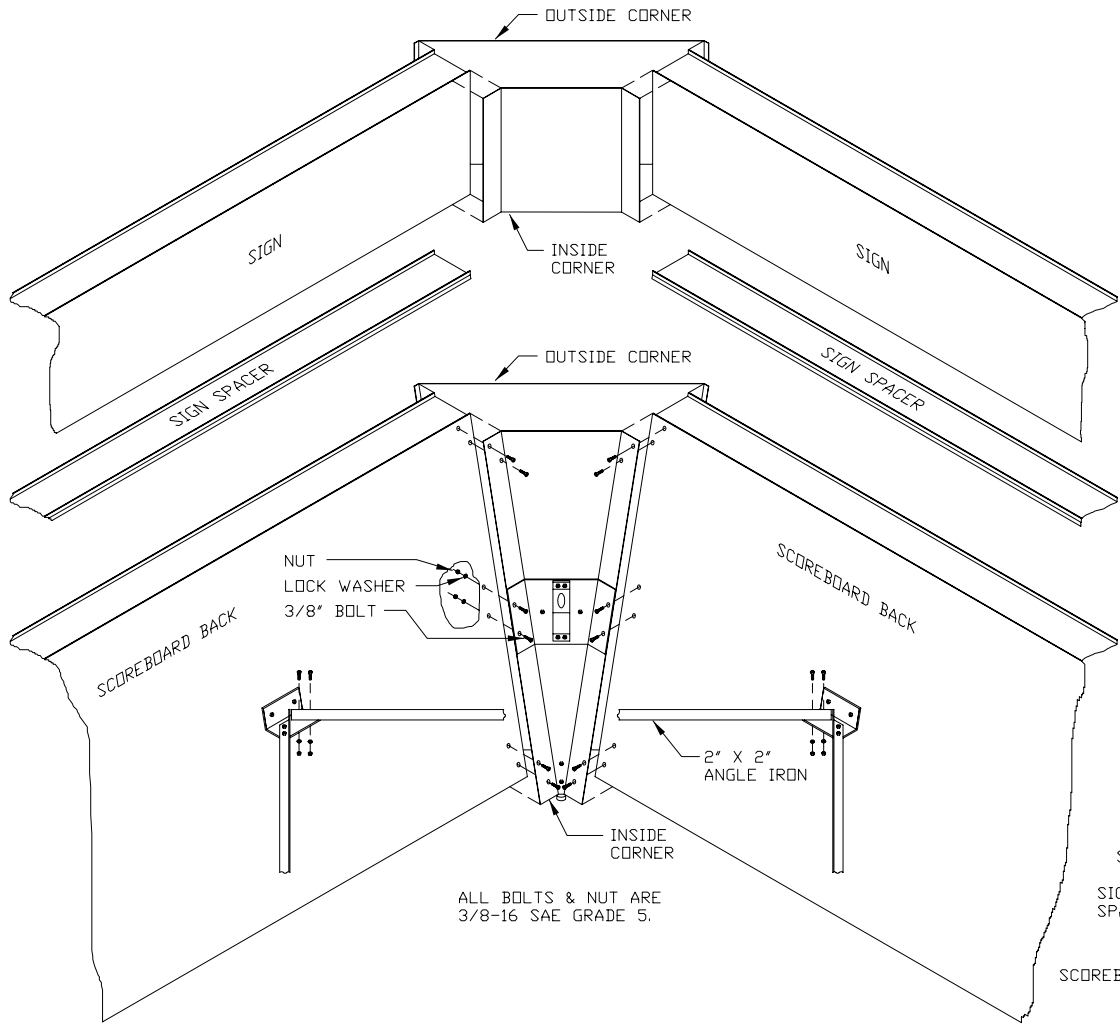


NEVCO SCOREBOARD CO.
GREENVILLE, ILLINOIS 62246

DRAWING NO. D1888

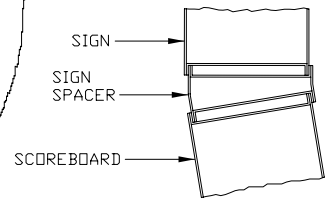
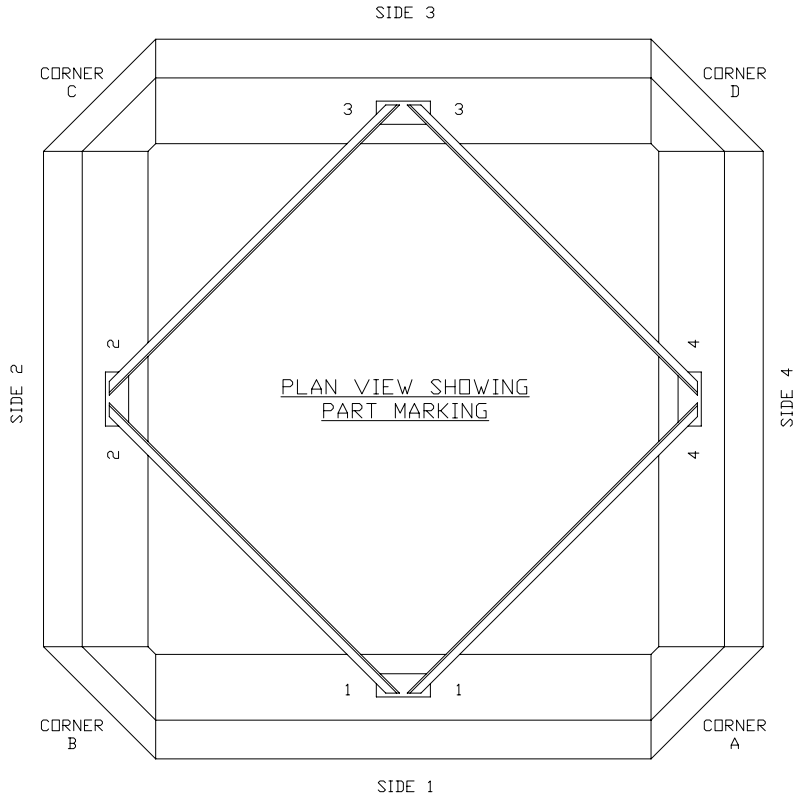
DRAWN HW DATE 5-6-75 SHEET 1 OF 1

NOTE
REMOVE EACH SIGN FACE FOR ACCESS TO
POWER CONNECTIONS. ADD HOLES IN REAR
OF SIGNS FOR POWER ENTRANCE.

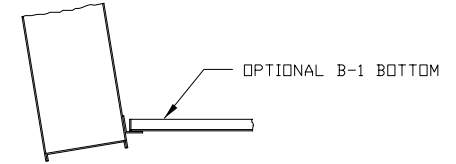


ALL BOLTS & NUT ARE
3/8-16 SAE GRADE 5.


CORNER ASSEMBLY DETAIL



SIGN ATTACHMENT
DETAIL



BOTTOM
INSTALLATION

TYP. ASSEMBLY 4-FACE SCOREBOARD WITH AD SIGNS OR ADL SIGNS		 NEVCO SCOREBOARD CO. GREENVILLE, ILLINOIS 62246
DRAWING NO. D3108		
DRAWN HW	DATE 1-30-79	SHEET 1 OF 1