

4" X 2 1/8" X 2 1/8"
 BOX FOR ELECTRICAL
 POWER SERVICE REQUIRED TO
 EACH FACE 120V, 5A, 50/60HZ

2 13/16" EYEBOLT, 1 1/2" INSIDE
 DIA., ONE EACH CORNER LOCATED
 8'-6" ON CENTER.

FOUR 1/4" DIA. CABLES ORDER
 LENGTHS REQUIRED FROM NEVCO.

CEILING LINE

MODULE LOCATION

SCOREBOARD FACE


TO CEILING
 SCOREBOARD FACE

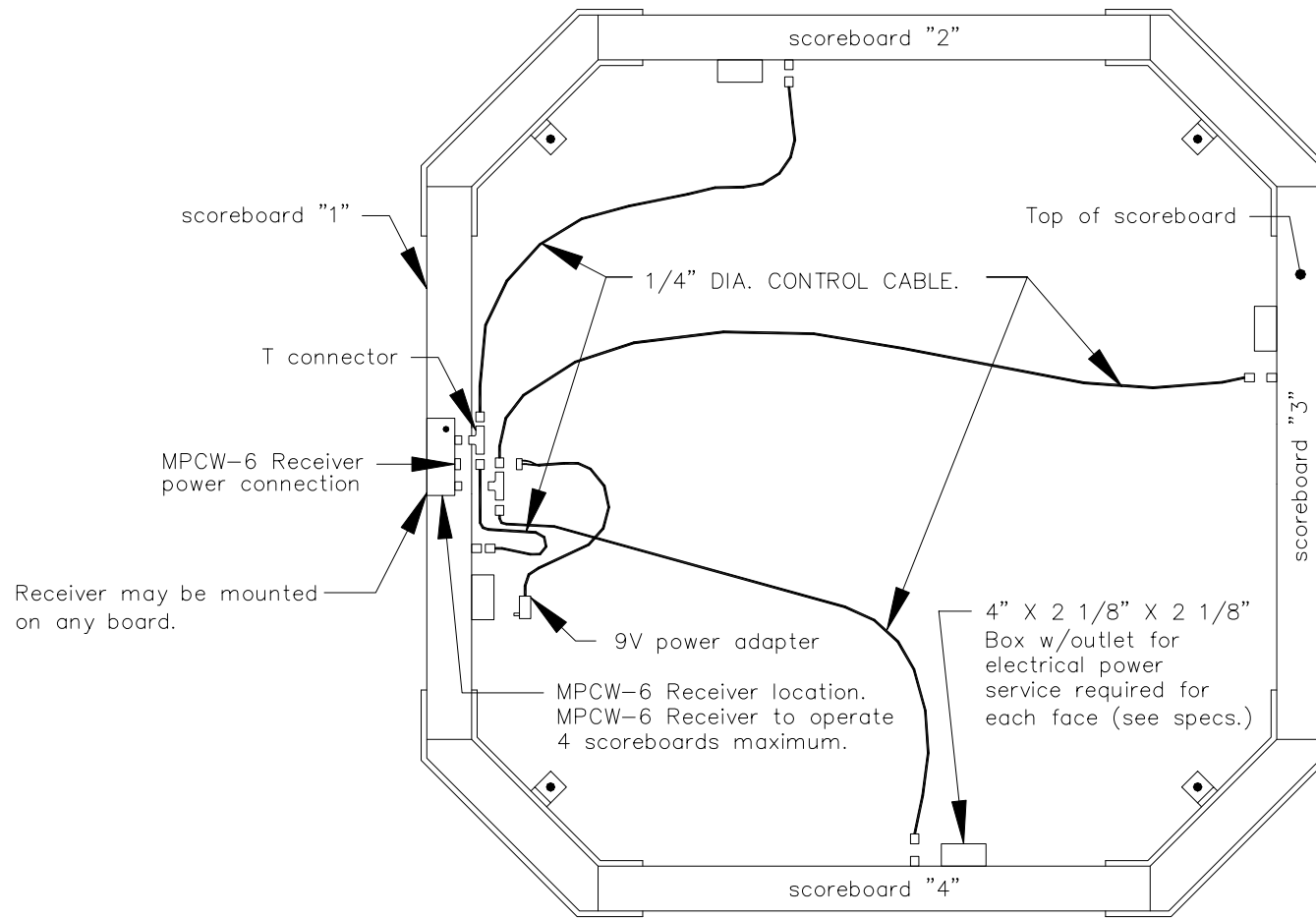
MODULE LOCATION

THIS SCOREBOARD IS INTENDED TO
 BE INSTALLED IN ACCORDANCE
 WITH THE REQUIREMENTS OF
 ARTICLE 600 OF THE NATIONAL
 ELECTRICAL CODE AND/OR OTHER
 APPLICABLE LOCAL CODES. THIS
 INCLUDES PROPER GROUNDING AND
 BONDING OF THE SCOREBOARD.

NOTES

1. MAKE CONNECTION TO EYEBOLT PER OWNER'S SPECIFICATIONS.
2. ANCHORS AT CEILING FURNISHED BY OWNER.
3. WIRE ROPE CABLE EACH CORNER SIZE AS REQUIRED TO SUPPORT SCOREBOARD. CABLE FURNISHED BY OWNER.


TYP. PERMANENT INSTALLATION 4-FACE-2670		 NEVCO SCOREBOARD CO. GREENVILLE, ILLINOIS 62246
DRAWN BMK	DATE 4/14/04	SHEET 1 OF 1

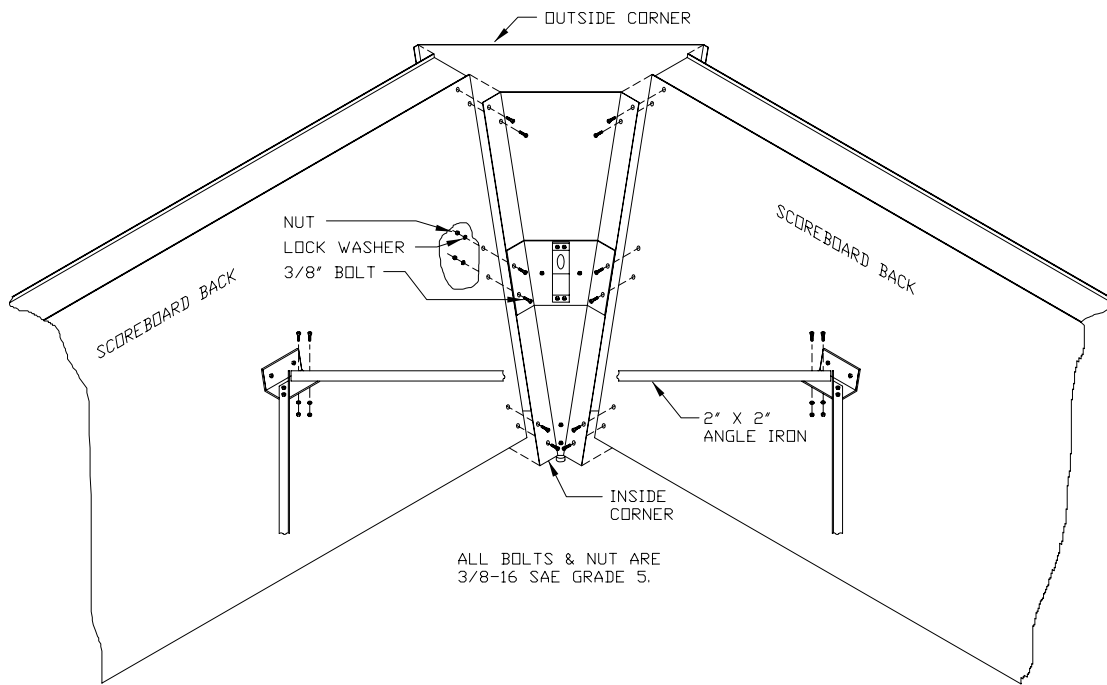


MPCW-6 RECEIVER TOP
VIEW OF 4-FACE SCOREBOARD

NOTES:

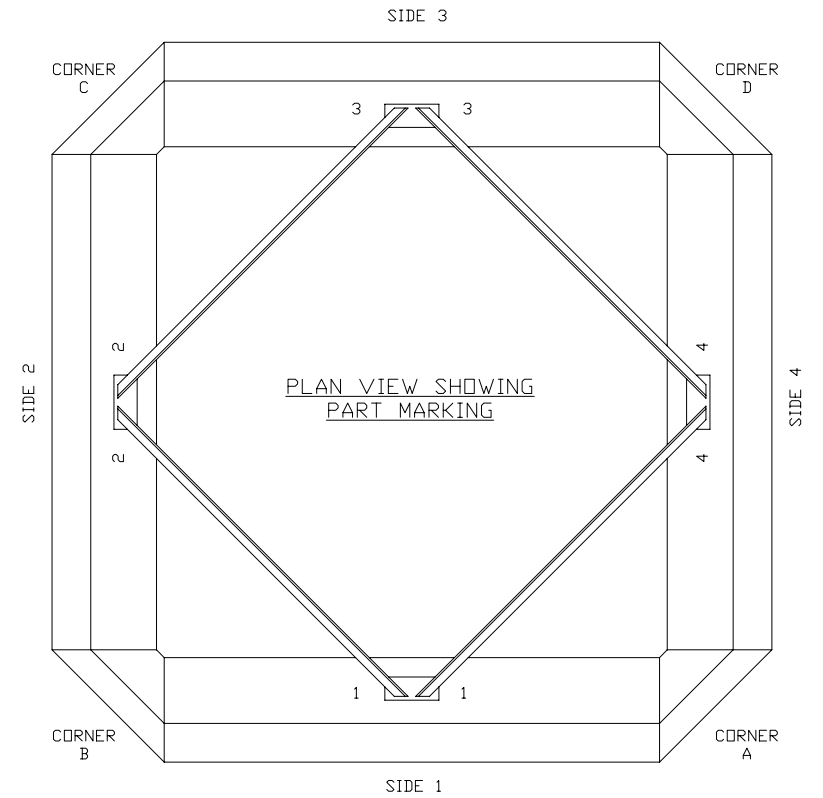
1. If a sign is added to the top of the scoreboard the receiver must be placed on top of the sign.
2. Use power adapter extension if signs are mounted to the top of scoreboard.
3. To independently operate each scoreboard face, each face must have its own MPCW receiver.

RECEIVER MOUNTING DETAIL, 4-FACE SCOREBOARD W/1 MPCW-6 RECEIVER		 NEVCO SCOREBOARD CO. GREENVILLE, ILLINOIS 62246
DRAWN BMK	DATE 11/01/04	SHEET 1 OF 1

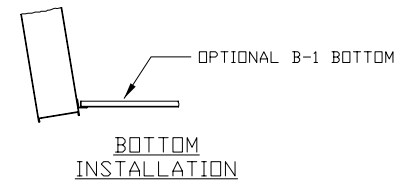


ALL BOLTS & NUT ARE
3/8-16 SAE GRADE 5.

CORNER ASSEMBLY DETAIL



PLAN VIEW SHOWING
PART MARKING



BOTTOM
INSTALLATION

TYP. ASSEMBLY
4-FACE
SCOREBOARD

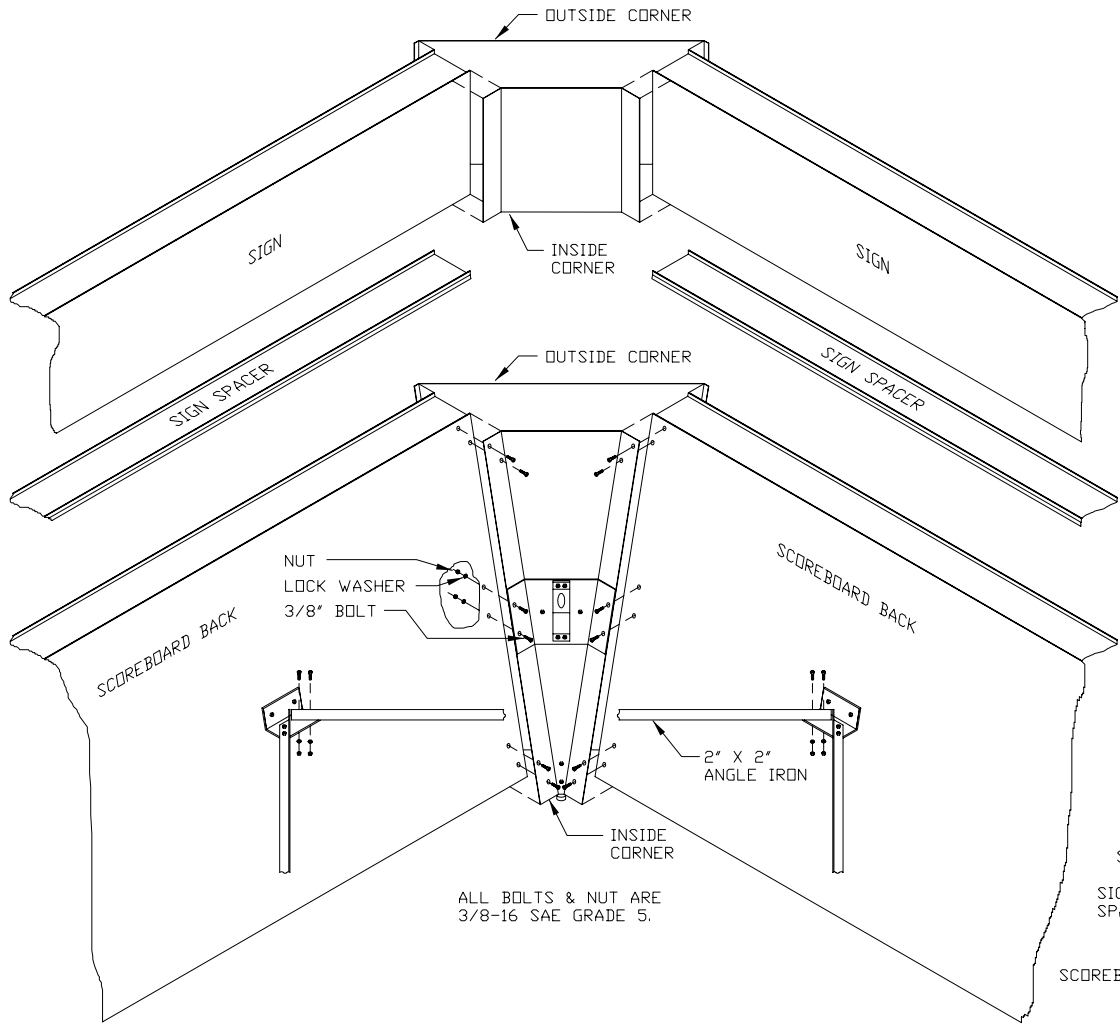


NEVCO SCOREBOARD CO.
GREENVILLE, ILLINOIS 62246

DRAWING NO. D1888

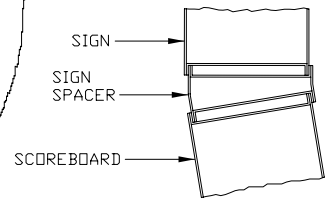
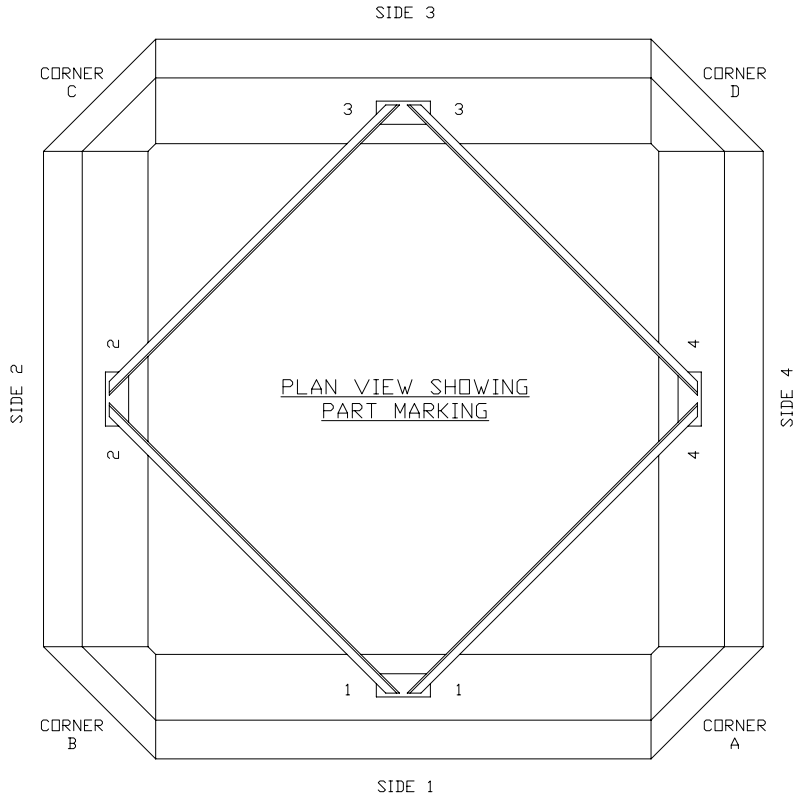
DRAWN HW DATE 5-6-75 SHEET 1 OF 1

NOTE
REMOVE EACH SIGN FACE FOR ACCESS TO
POWER CONNECTIONS. ADD HOLES IN REAR
OF SIGNS FOR POWER ENTRANCE.

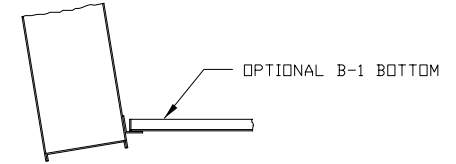


ALL BOLTS & NUT ARE
3/8-16 SAE GRADE 5.


CORNER ASSEMBLY DETAIL



SIGN ATTACHMENT
DETAIL



BOTTOM
INSTALLATION

TYP. ASSEMBLY 4-FACE SCOREBOARD WITH AD SIGNS OR ADL SIGNS		 NEVCO SCOREBOARD CO. GREENVILLE, ILLINOIS 62246
DRAWING NO. D3108		
DRAWN HW	DATE 1-30-79	SHEET 1 OF 1