

Important. Read before installation.

This is not an engineered drawing. It is intended for representation purposes only. The dimensions called out on this drawing are intended to be used as a guide only, and are not intended to be suitable for all conditions. Information specific to the message center, such as assembly instructions and electrical connections, may be found in the installation manual for that message center.

Nevco recommends that you consult a professional

engineer or architect familiar with the area before attempting installation. They can verify that the selected mounting beams or posts along with the brackets, screws, and other hardware items provided by you or Nevco are adequate for your local soil conditions, wind loads and other conditions. If procedures are used that are not covered in this drawing, careful analysis of the installation is urged.

W6 x 15 Steel Support Column. (figured with bottom edge of display 10' from ground and a maximum of 10' between columns)

Rev A

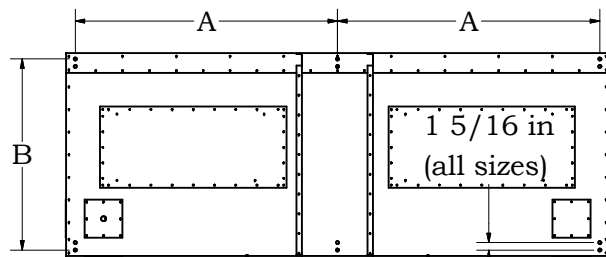
20m m Cabinet	Dimensions (H" x W")	Weight (lbs)	Suggested Column Separation (Center to Center Dimension in inches)	# of Mounting Locations	Distance A (Inches)	Distance B (Inches)
3' x 8'	36 x 96	190	36" to 90"	6	46 3/8	33 7/8
3' x 10'	36 x 120	245	36" to 114"	6	58 3/8	33 7/8
3' x 12'	36 x 144	305	52" to 138"	8	46 29/32	33 7/8
4' x 8'	48 x 96	238	36" to 90"	6	46 3/8	45 7/8
4' x 10'	48 x 120	317	36" to 114"	6	58 3/8	45 7/8
4' x 12' left	48 x 65.71	186		4	62.46875 *	45 7/8
4' x 12' right	48 x 78.289	220	52" to 138"	6	37.53125 *	45 7/8
4' x 16' left	48 x 89.71	256		6	43.21875 *	45 7/8
4' x 16' right	48 x 102.29	280	92" to 186"	6	49.53125 *	45 7/8
32mm mono						
2' x 8'	24 x 96	113	36" to 90"	6	46 3/8	21 7/8
2' x 10'	24 x 120	162	36" to 114"	6	58 3/8	21 7/8
2' x 12'	24 x 144	192	52" to 138"	6	70 3/8	21 7/8
3' x 8'	36 x 96	165	36" to 90"	6	46 3/8	33 7/8
3' x 10'	36 x 120	197	36" to 114"	6	58 3/8	33 7/8
3' x 12'	36 x 144	241	52" to 138"	6	70 3/8	33 7/8
3' x 16' Left	36 x 85.937	137		6	41 3/8 *	33 7/8
3' x 16' Right	36 x 106.063	168	92" to 186"	6	51 3/8 *	33 7/8
4' x 8'	48 x 96	208	36" to 90"	6	46 3/8	45 7/8
4' x 10'	48 x 120	250	36" to 114"	6	58 3/8	45 7/8
4' x 12' Left	48 x 72	172		6	34 3/8 *	45 7/8
4' x 12' Right	48 x 72	170	52" to 138"	6	34 3/8 *	45 7/8
4' x 16' left	48 x 96	189		6	46 3/8 *	45 7/8
4' x 16' right	48 x 96	242	92" to 186"	6	46 3/8 *	45 7/8
16mm mono						
1' x 6'	12 x 72	50	48" to 66"	4	68 3/4	9 7/8
1' x 8'	12 x 96	65	36" to 90"	6	92 3/4	9 7/8
2' x 6'	24 x 72	87	48" to 66"	4	68 3/4	21 7/8
2' x 8'	24 x 96	120	36" to 90"	6	46 3/8	21 7/8
3' x 6'	36 x 72	126	48" to 66"	6	34 3/8	33 7/8
3' x 8'	36 x 96	172	36" to 90"	6	46 3/8	33 7/8
3' x 10'	36 x 120	208	36" to 114"	6	58 3/8	33 7/8
3' x 12'	36 x 144	258	52" to 138"	6	70 3/8	33 7/8
4' x 8'	48 x 96	225	36" to 90"	6	46 3/8	45 7/8
4' x 10'	48 x 120	273	36" to 114"	6	58 3/8	45 7/8
4' x 12' left	48 x 144	194		6	36 29/32*	45 7/8
4' x 12' right		158	52" to 138"	4	63 23/32*	45 7/8
4' x 16' left	48 x 192	214		6	46 3/8 *	45 7/8
4' x 16' right		255	92" to 186"	6	46 3/8 *	45 7/8

Check Electrical Prints to determine conduit requirements. (Must meet electric codes.)

Coarse aggregate concrete Minimum 24" diameter. Minimum 5' deep.

* See note 1 on sheet 4

Important: Bracing (angle, tubing, etc.) must fully support message center. Nevco recommends that you consult a local professional architect or engineer to verify the framework the cabinet will be mounted to.



Message Center Outdoor Installation Instructions



Nevco, Inc.
Greenville, Illinois 62246

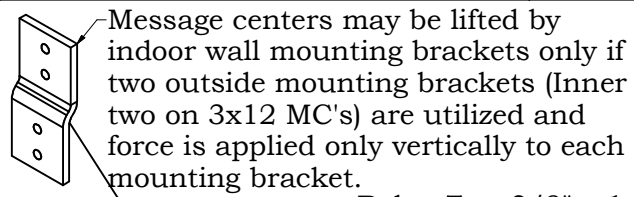
Drawing No. 241-0301

Drawn DBB

Date 03/03/11

Sheet 1 of 5

Outdoor Installation with Columns

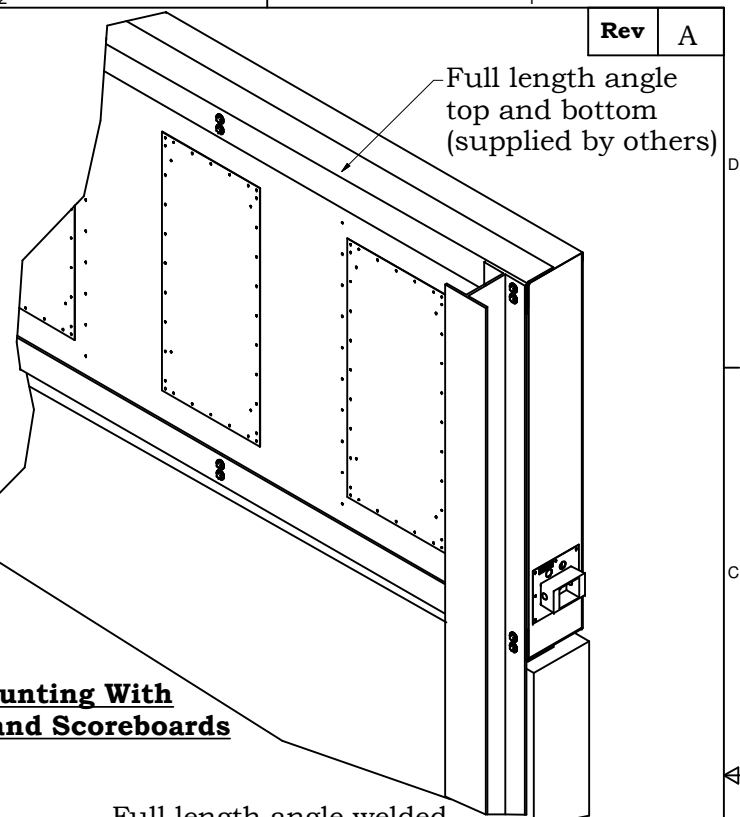


Message centers may be lifted by indoor wall mounting brackets only if two outside mounting brackets (Inner two on 3x12 MC's) are utilized and force is applied only vertically to each mounting bracket.

Bolts: Two 3/8" x 1 1/4"-16 (Remove stock mounting brackets and use supplied bolts and washers to bolt angle to message center. Some installations may require longer bolts.)

Must use two sets of bolts and washer on all bracket mounting locations.

*Power/Signal Panel

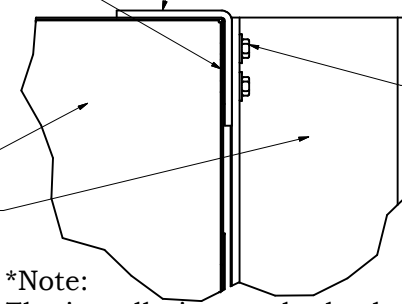


Full length angle top and bottom (supplied by others)

Flush Mounting With Other Signs and Scoreboards

Must use two sets of bolts and washer on all mounting locations.

Full length angle welded or bolted to column depending on location of columns.



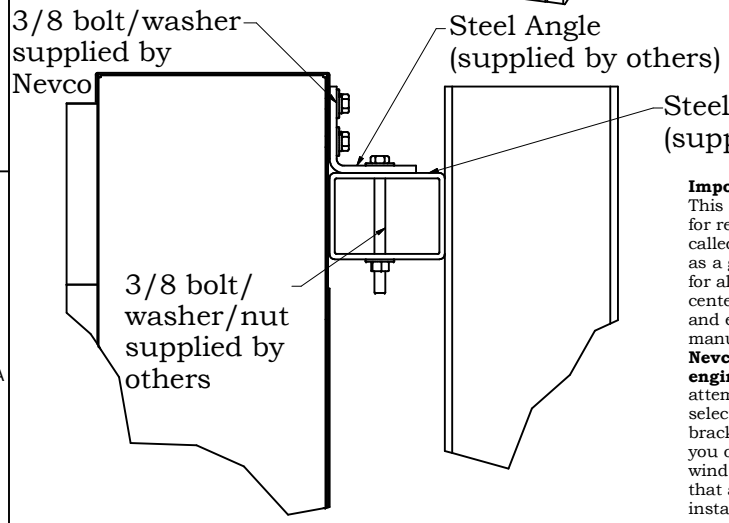
Bolts: Two 3/8" x 1 1/4"-16 (Remove stock mounting brackets and use supplied bolts and washers to bolt angle to message center. Some installations may require longer bolts.)

*Note: The installation methods shown above may require the relocation of power/signal panel.

Mounting Using Square Tubing for Laterals

This is the recommended method for outdoor wall mounted installations.

Important: Message center must be supported at each mounting bracket location using two sets of bolts and washers per location.




3/8 bolt/washer supplied by Nevco

Steel Angle (supplied by others)

Steel Square Tubing (supplied by others)

3/8 bolt/washer/nut supplied by others

Important. Read before installation.
 This is not an engineered drawing. It is intended for representation purposes only. The dimensions called out on this drawing are intended to be used as a guide only, and are not intended to be suitable for all conditions. Information specific to the message center being used, such as assembly instructions and electrical connections, may be found in the installation manual for that message center.
Nevco recommends that you consult a professional engineer or architect familiar with the area before attempting installation. They can verify that the selected mounting beams or posts along with the brackets, screws, and other hardware items provided by you or Nevco are adequate for your local soil conditions, wind loads and other conditions. If procedures are used that are not covered to this drawing, careful analysis of the installation is urged.

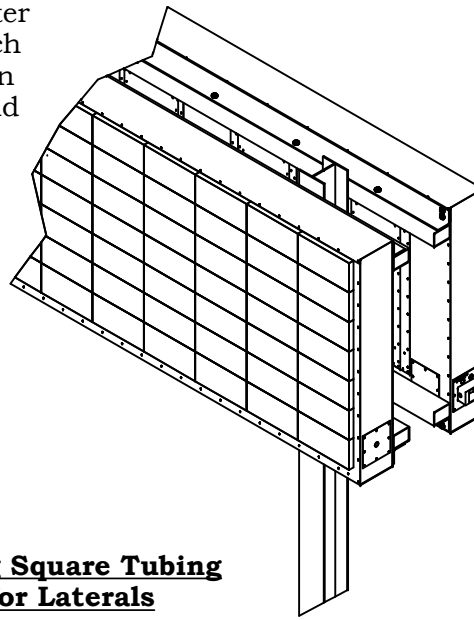
Message Center Outdoor Installation Instructions			
		Nevco, Inc. Greenville, Illinois 62246	
		Drawing No. 241-0301	
Drawn DBB	Date 03/03/11	Sheet 2 of 5	

Double-Sided Mounting

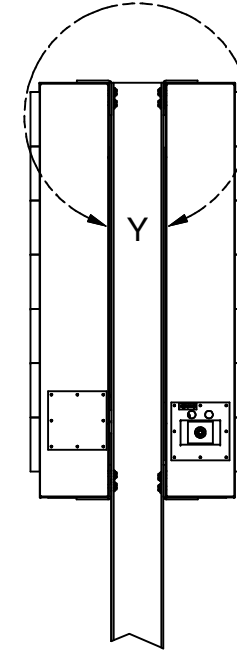
Rev A

Steel angle and tubing supplied by others

Important: Message center must be supported at each mounting bracket location using two sets of bolts and washers per location.



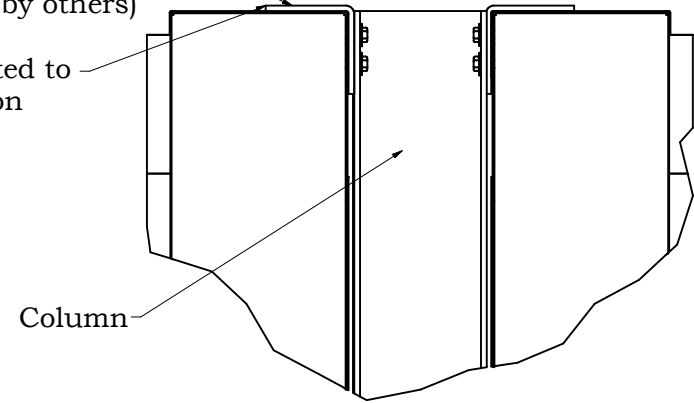
Using Square Tubing for Laterals



Using Angle for Flush Mount

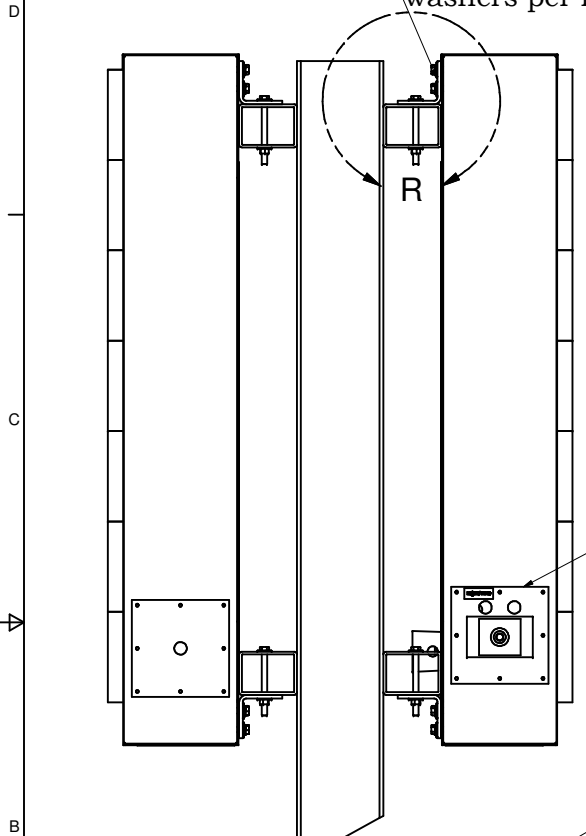
Full length angle top and bottom (supplied by others)

Angle welded or bolted to column depending on column location.

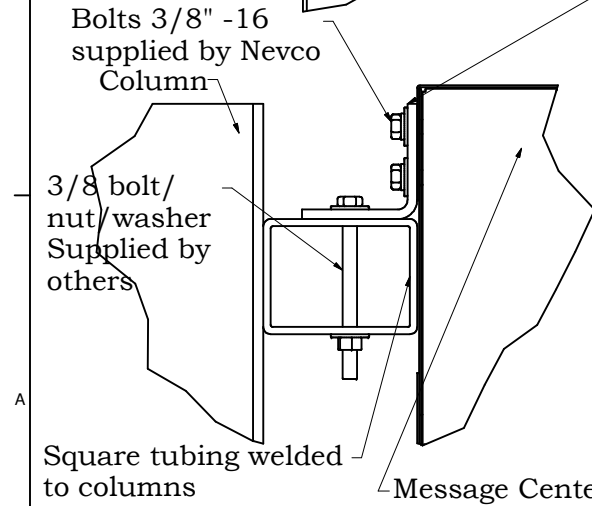


DETAIL Y

*Note: The installation methods shown above may require the relocation of power/signal panels.



*Power/Signal Panel



Angle bolted to back of message center. (Must use two sets of bolts and washers per mounting location)

Important. Read before installation.
This is not an engineered drawing. It is intended for representation purposes only. The dimensions called out on this drawing are intended to be used as a guide only, and are not intended to be suitable for all conditions. Information specific to the message center being used, such as assembly instructions and electrical connections, may be found in the installation manual for that message center.
Nevco recommends that you consult a professional engineer or architect familiar with the area before attempting installation. They can verify that the selected mounting beams or posts along with the brackets, screws, and other hardware items provided by you or Nevco are adequate for your local soil conditions, wind loads and other conditions. If procedures are used that are not covered to this drawing, careful analysis of the installation is urged.

DETAIL R

Message Center Outdoor Installation Instructions



Nevco, Inc.
Greenville, Illinois 62246

Drawing No. 241-0301

Drawn DBB

Date 03/03/11

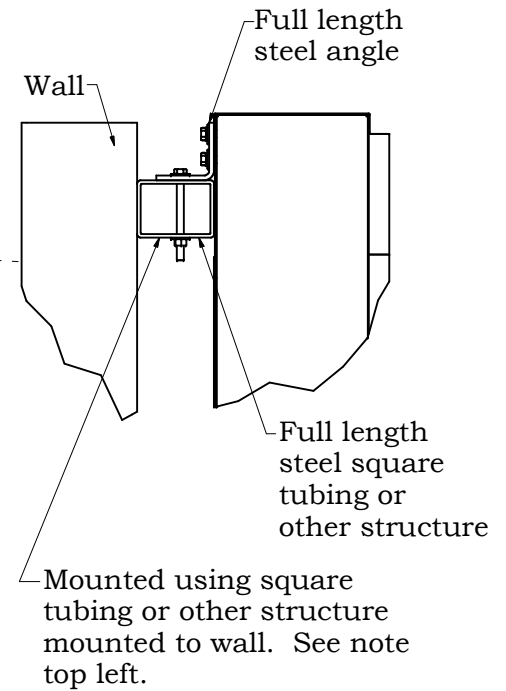
Sheet 3 of 5

Important. Read before installation.

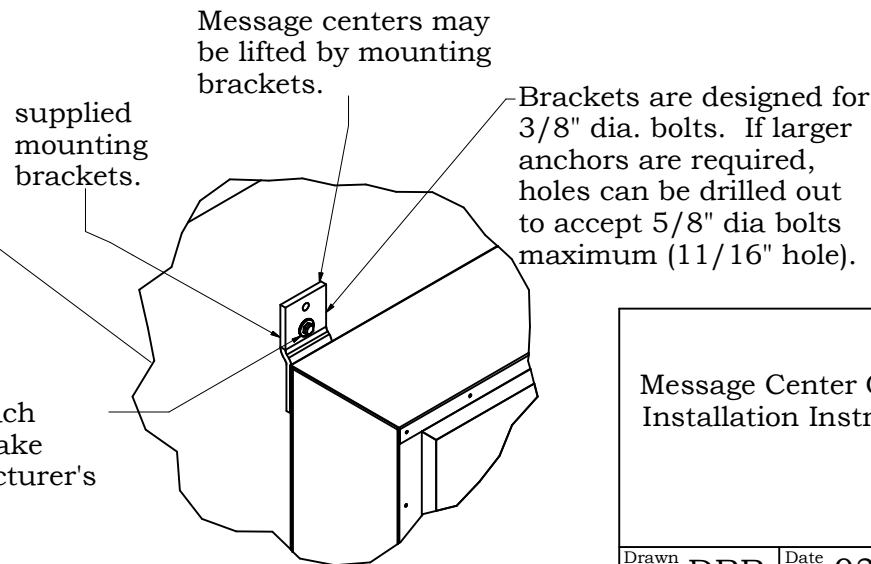
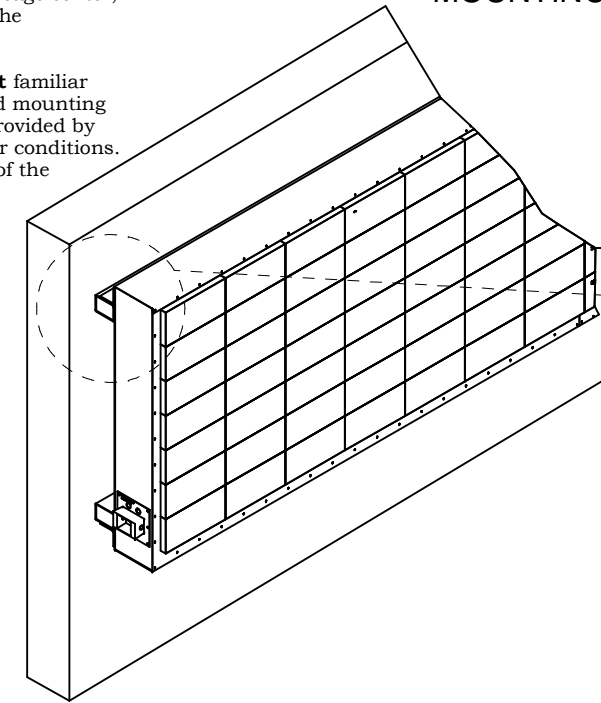
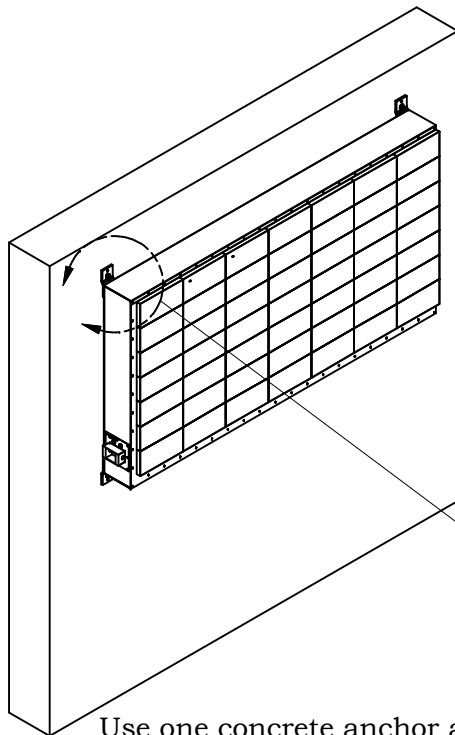
This is not an engineered drawing. It is intended for representation purposes only. The dimensions called out on this drawing are intended to be used as a guide only, and are not intended to be suitable for all conditions. Information specific to the message center, such as assembly instructions and electrical connections, may be found in the installation manual for that message center.

Nevco recommends that you consult a professional engineer or architect familiar with the area before attempting installation. They can verify that the selected mounting beams or posts along with the brackets, screws, and other hardware items provided by you or Nevco are adequate for your local soil conditions, wind loads and other conditions. If procedures are used that are not covered in this drawing, careful analysis of the installation is urged.

MOUNTING TO OTHER STRUCTURE



FLUSH WALL MOUNTING



Notes:

1. Mounting brackets must be mounted as shown prior to installation.
2. Refer to sheet 1 for cabinet weights and dimensions.

Message Center Outdoor
Installation Instructions



Nevco, Inc.
Greenville, Illinois 62246

Drawing No. 241-0301

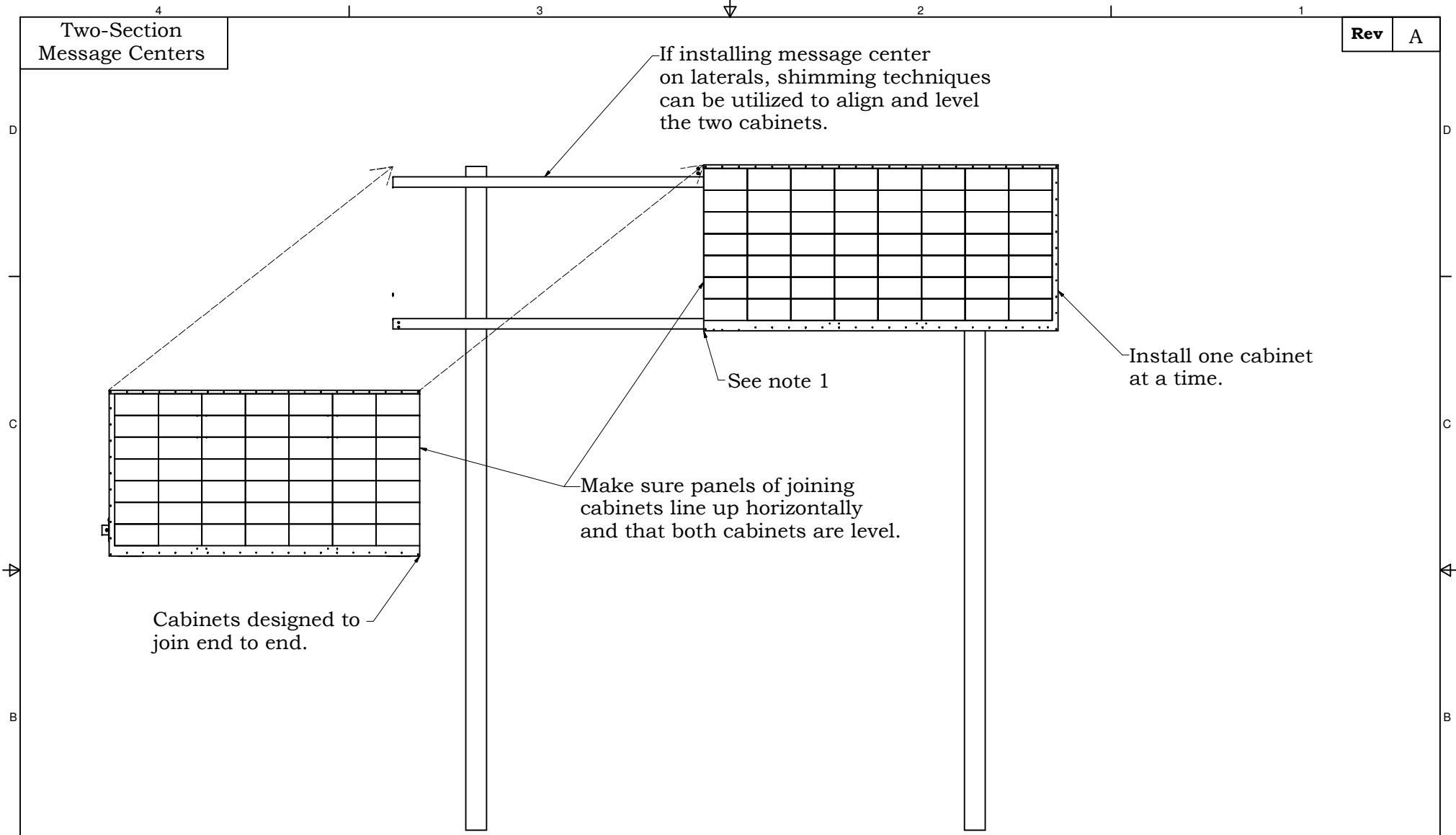
Drawn DBB

Date 03/03/11

Sheet 4 of 5


Two-Section
Message Centers

Rev A



Notes:

1. Distance between bolt holes on sheet 1 reflect the individual cabinet spacing. When joining two cabinets together (as shown above) there will be a hole spacing of 3 1/4" between the cabinets.

Message Center Outdoor Installation Instructions		 Nevco, Inc. Greenville, Illinois 62246
Drawn DBB	Date 03/03/11	Sheet 5 of 5