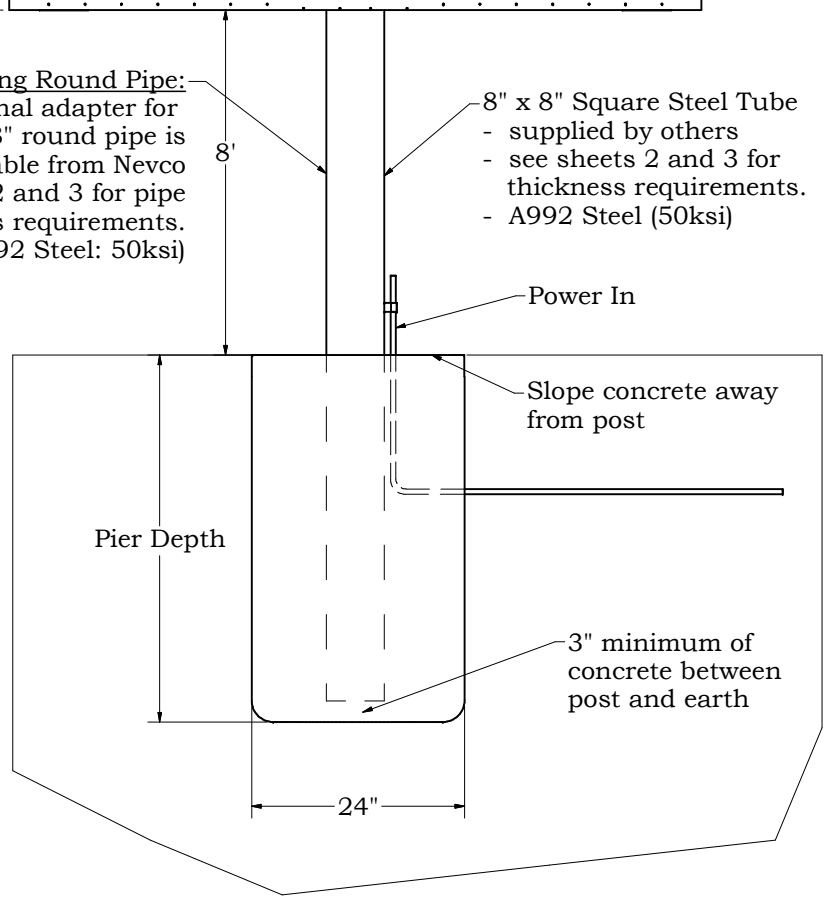


Note: See sheets 2 and 3 for weights, dimensions, column requirements and pier requirements.

When Using Round Pipe:
 Optional adapter for 7 5/8" round pipe is available from Nevco. See sheets 2 and 3 for pipe thickness requirements. (A992 Steel: 50ksi)

8" x 8" Square Steel Tube
 - supplied by others
 - see sheets 2 and 3 for thickness requirements.
 - A992 Steel (50ksi)




Important. Read before installation.

This is not an engineered drawing. It is intended for representational purposes only. The dimensions called out on this drawing are intended to be used as a guide only, and are not intended to be suitable for all conditions. Information specific to the units being used, such as assembly instructions and electrical connections, may be found in the installation manual for that message center or sign.

Nevco recommends that you consult a professional engineer or architect familiar with the area before attempting installation. They can verify that the selected mounting beams or posts along with the brackets, screws, and other hardware items provided by you or Nevco are adequate for your local soil conditions, wind loads and other conditions. If procedures are used that are not covered in this drawing, careful analysis of the installation is urged.

Important. Read before installation.


This sign is intended to be installed in accordance with the requirements of Article 600 of the National Electrical Code and/or other applicable local codes. This includes proper grounding and bonding of the sign. All personnel who work with electrical connections must be educated in the safe procedures for installing and repairing electrical connections before they are given the responsibility of performing such tasks. Conduit and fittings are supplied by installer.

Installation of Marquee Style Message Center and Sign		 Nevco, Inc. Greenville, Illinois 62246		
				Drawing No. DWG-0171
Drawn	BRS	Date	02/03/11	Sheet 1 of 8

EXPOSURE C							
90 MPH							
Dim "A"	Dim "B"	Dim "C"	Post Thickness	Post Thickness (Round Column)	Pier Depth	Length of Column	Est. Weight
3'	2'	8'	3/16"	1/8"	5' 6"	18' 3"	846
4'	2'	8'	3/16"	3/8"	6'	19' 9"	915
4'	2'	10'	3/16"	3/8"	6' 6"	20' 3"	960
130 MPH							
Dim "A"	Dim "B"	Dim "C"	Post Thickness	Post Thickness (Round Column)	Pier Depth	Length of Column	Est. Weight
3'	2'	8'	3/16"	3/8"	7' 6"	20' 3"	846
4'	2'	8'	3/16"	3/8"	8'	21' 9"	915
4'	2'	10'	3/16"	3/8"	8' 6"	22' 3"	960
150 MPH							
Dim "A"	Dim "B"	Dim "C"	Post Thickness	Post Thickness (Round Column)	Pier Depth	Length of Column	Est. Weight
3'	2'	8'	3/16"	Round Post Can't Be Used	8'	20' 9"	846
4'	2'	8'	1/4"	Round Post Can't Be Used	8' 6"	22' 3"	915
4'	2'	10'	5/16"	Round Post Can't Be Used	9' 6"	23' 3"	960

Chart Notes:

1. Wind loading figured at **Exposure "C" - Open terrain** with scattered obstructions having heights generally less than 30 feet. This category includes flat open country, grasslands, and all water surfaces in hurricane prone areas.
2. The dimensions in the charts were calculated using ASCE 7-05, IBC 2009 (pier depth), and the Manual of Steel Construction (13th Edition). Lateral bearing pressure was considered to be 150 psf/f.
3. Although these calculations were made using the latest information, the information is intended to be used as a guide only, and are not suitable for all conditions. Nevco recommends you consult a professional engineer or architect familiar with the area before attempting installation. They will be familiar with local conditions, codes, etc.
4. All structural steel to be grade A992 (50 ksi) steel.

Installation of Marquee Style Message Center and Sign		 Nevco, Inc. Greenville, Illinois 62246
Drawn BRS	Date 02/03/11	Sheet 2 of 8

EXPOSURE B

90 MPH

Dim "A"	Dim "B"	Dim "C"	Post Thickness	Post Thickness (Round Column)	Pier Depth	Length of Column	Est. Weight
3'	2'	8'	3/16"	1/8"	5'	17' 9"	846
4'	2'	8'	3/16"	1/8"	5'	18' 9"	915
4'	2'	10'	3/16"	1/8"	5' 6"	19' 3"	960

130 MPH


Dim "A"	Dim "B"	Dim "C"	Post Thickness	Post Thickness (Round Column)	Pier Depth	Length of Column	Est. Weight
3'	2'	8'	3/16"	3/8"	6'	18' 9"	846
4'	2'	8'	3/16"	3/8"	6' 6"	20' 3"	915
4'	2'	10'	3/16"	3/8"	7'	20' 9"	960

150 MPH

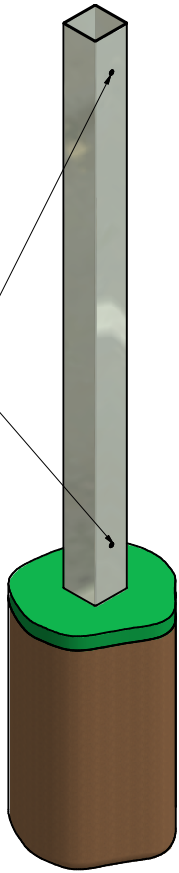
Dim "A"	Dim "B"	Dim "C"	Post Thickness	Post Thickness (Round Column)	Pier Depth	Length of Column	Est. Weight
3'	2'	8'	3/16"	3/8"	7'	19' 9"	846
4'	2'	8'	3/16"	3/8"	7' 6"	21' 3"	915
4'	2'	10'	3/16"	3/8"	8'	21' 9"	960

Chart Notes:

1. Wind loading figured at **Exposure "B" - Urban and suburban areas**, wooded areas, or other terrain with numerous closely spaced obstructions having the size of single-family dwellings or larger. These areas prevail in the upwind direction for a distance of 2600 feet or 20 times the structure height, whichever is greater.
2. The dimensions in the charts were calculated using ASCE 7-05, IBC 2009 (pier depth), and the Manual of Steel Construction (13th Edition). Lateral bearing pressure was considered to be 150 psf/f.
3. Although these calculations were made using the latest information, the information is intended to be used as a guide only, and are not suitable for all conditions. Nevco recommends you consult a professional engineer or architect familiar with the area before attempting installation. They will be familiar with local conditions, codes, etc.
4. All structural steel to be grade A992 (50 ksi) steel.

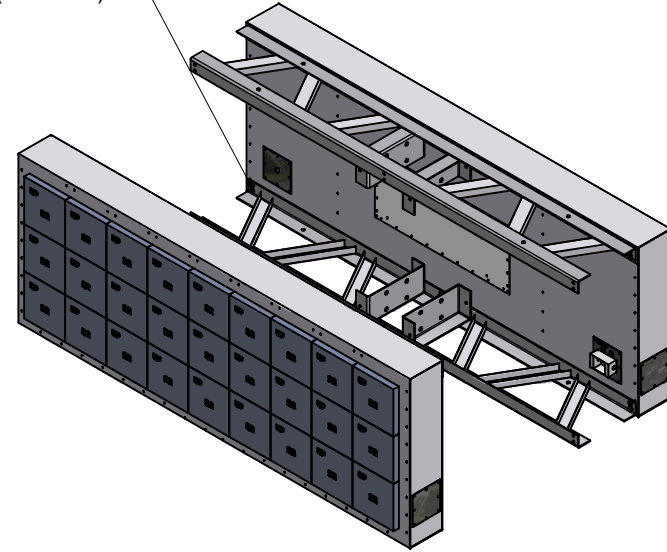
Installation of Marquee Style Message Center and Sign		 NEVCO Nevco, Inc. Greenville, Illinois 62246
		Drawing No. DWG-0171
Drawn BRS	Date 02/03/11	Sheet 3 of 8

7/8" electrical holes to be at 90 degrees from face of sign/message center (if running wires inside of tube - see sheet 5)




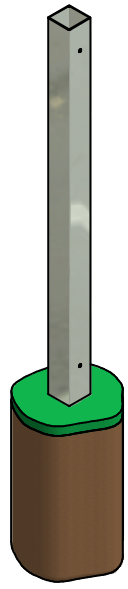
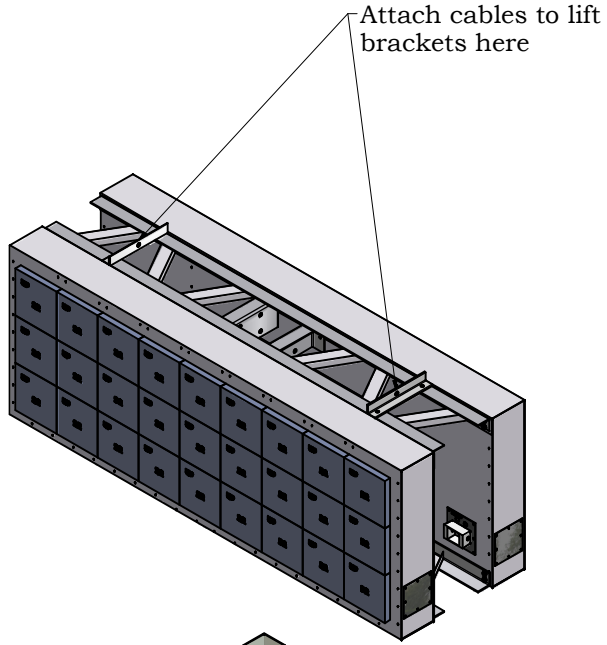
Step 1. Install 8 x 8 steel post in concrete. Make sure post is plumb and concrete is set before installing signs or message centers.

3/8 x 1/4 bolts and washers. Six required for each side of each frame (24 total)

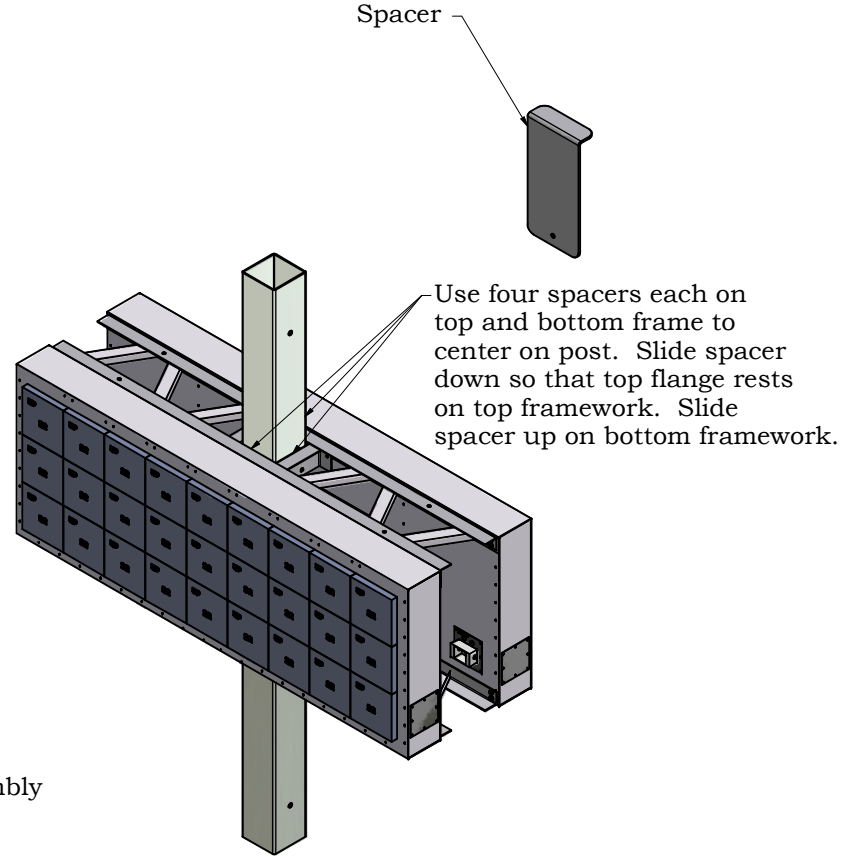


Step 2. Install message centers on horizontal frame using 3/8 x 1/4 bolts and washers supplied by Nevco.


Installation of Marquee Style Message Center and Sign		 Nevco, Inc. Greenville, Illinois 62246
Drawn BRS	Date 02/03/11	Sheet 4 of 8



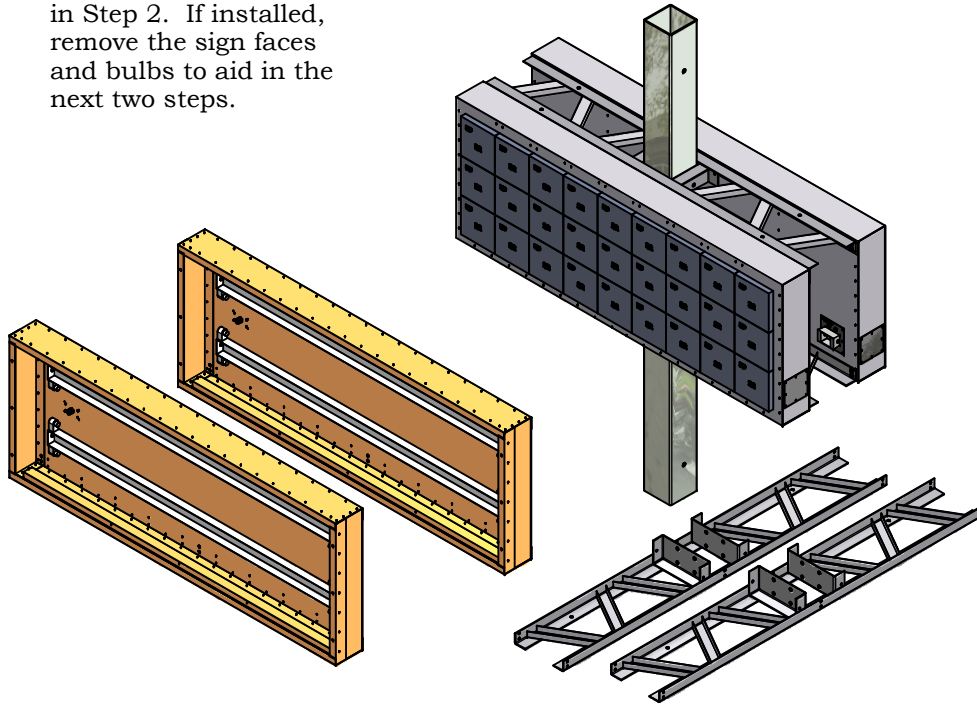
Step 3. Lift message centers and frame using lifting brackets supplied by Nevco. Use 1/2" x 2" bolts, washers and nuts. Position assembly over post (use a stop welded to the post at the desired height to aid in this step).



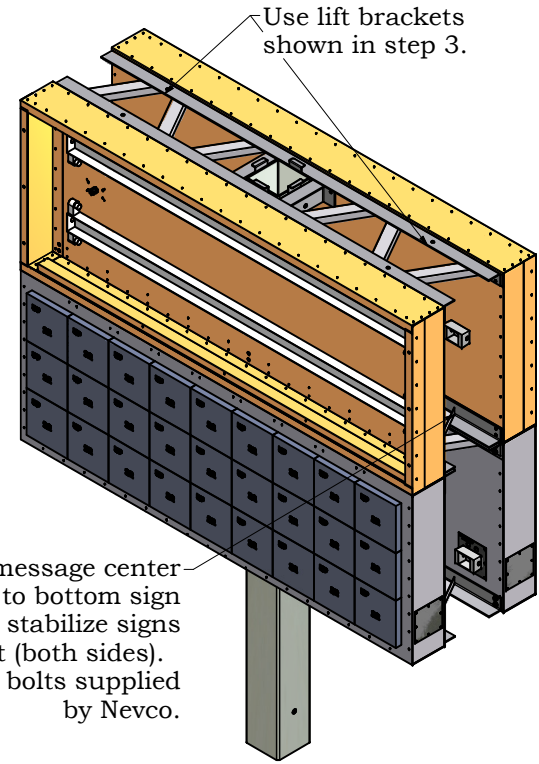
Step 4. Lower assembly down post to desired location. There is approximately 1/4" gap between frame and post. Use spacers shown above to center on post and weld or bolt (5/8 x 10" supplied by others) to post as required.

Installation of Marquee Style Message Center and Sign		 Nevco, Inc. Greenville, Illinois 62246	
		Drawing No. DWG-0171	
Drawn	BRS	Date	02/03/11
Sheet 5 of 8			

Step 5. Assemble Signs to framework as described in Step 2. If installed, remove the sign faces and bulbs to aid in the next two steps.



Step 6. Install signs and framework as described in step 4. Use spacers on top frame to ensure assembly is centered on post.



Bolt top message center frame to bottom sign frame to stabilize signs on post (both sides). Use 1/2" x 2" bolts supplied by Nevco.

Installation of
Marquee Style
Message Center
and Sign



Nevco, Inc.
Greenville, Illinois 62246

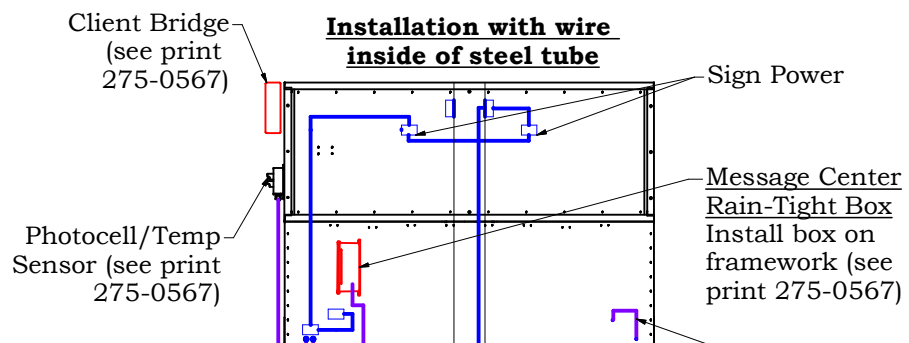
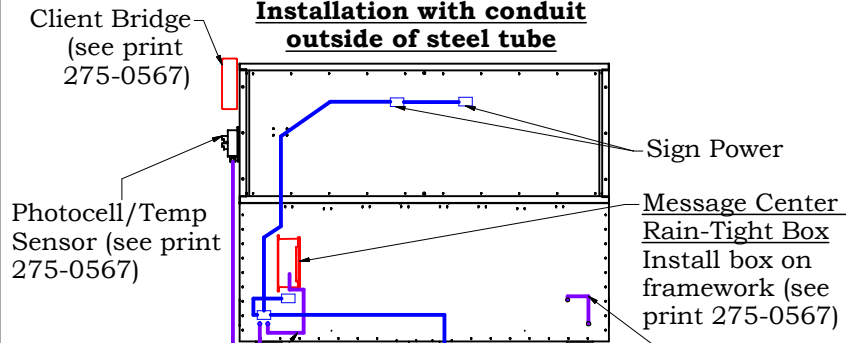
Drawing No. DWG-0171

Drawn BRS Date 02/03/11

Sheet 6 of 8

Installation with conduit outside of steel tube

Installation with wire inside of steel tube



Signal from rain-tight box to "Signal In" on **Master** message center

Main Power In (Adjust circuits as required; refer to chart below)

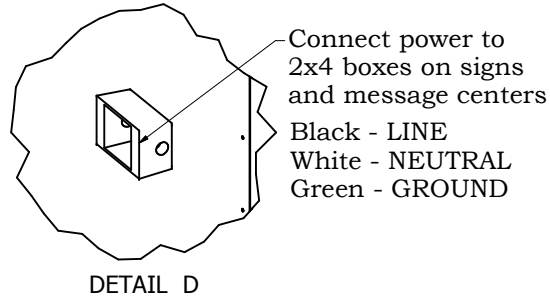
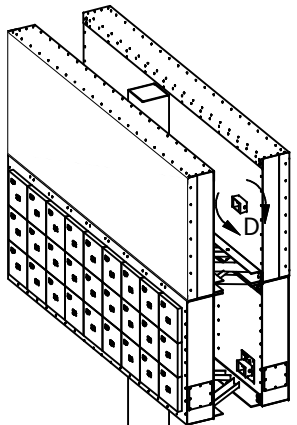
"Signal Out" from 'MASTER' message center to "Signal In" on 'SLAVE' message center
- cable supplied by Nevco
- Ethernet (straight through)

Signal from rain-tight box to "Signal In" on **Master** message center

Main Power (Adjust circuits as required; refer to chart below)

"Signal Out" from 'MASTER' message center to "Signal In" on 'SLAVE' message center
- cable supplied by Nevco
- Ethernet (straight through)

Note: Refer to print 275-0567 for details on connecting power and signal to message centers.



Amps @ 120V per cabinet


20mm color
3 x 8 - 8.8
4 x 8 - 12.3
4 x 10 - 15.8

32/16mm monochrome
3 x 8 - 4.9
4 x 8 - 6.5
4 x 10 - 7.9

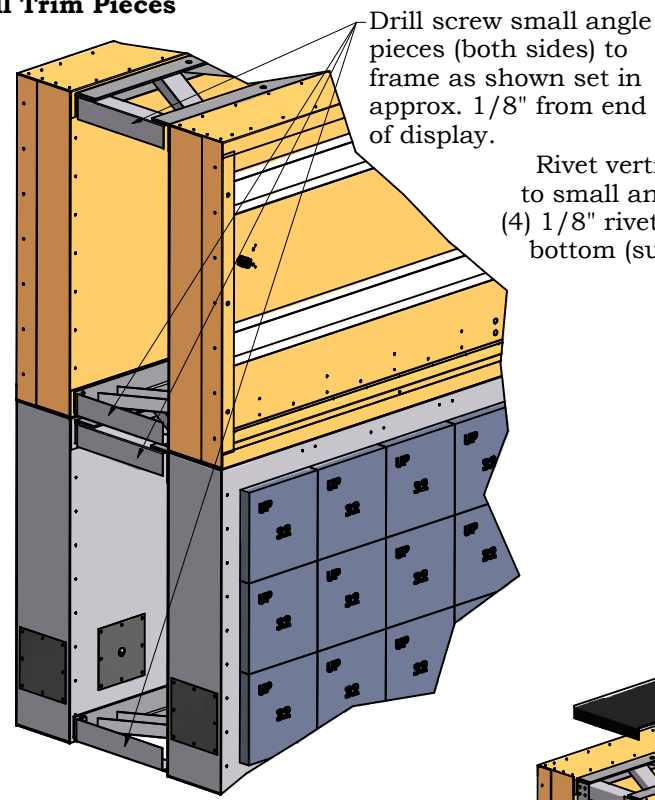
Signs (per sign)
2 x 8 - 1.8
2 x 10 - 2.5

20 AMP CIRCUIT REQUIREMENTS (8' WIDE MARQUEE)			
Sign Height	16 or 32mm MC 3' Tall	16 or 32mm MC 4' Tall	20mm MC 4' Tall
2'	1 circuits required	2 circuits required	2 circuits required

20 AMP CIRCUIT REQUIREMENTS (10' WIDE MARQUEE)		
Sign Height	16 or 32mm MC 4' Tall	20mm MC 4' Tall
2'	2 circuits required	3 circuits required

Installation of Marquee Style Message Center and Signs		 Nevco, Inc. Greenville, Illinois 62246
Drawn BRS	Date 02/03/11	Sheet 7 of 8

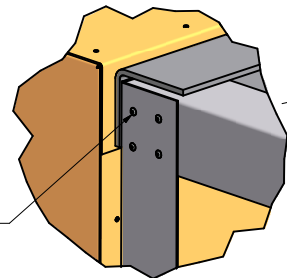
Install Trim Pieces



STEP ONE

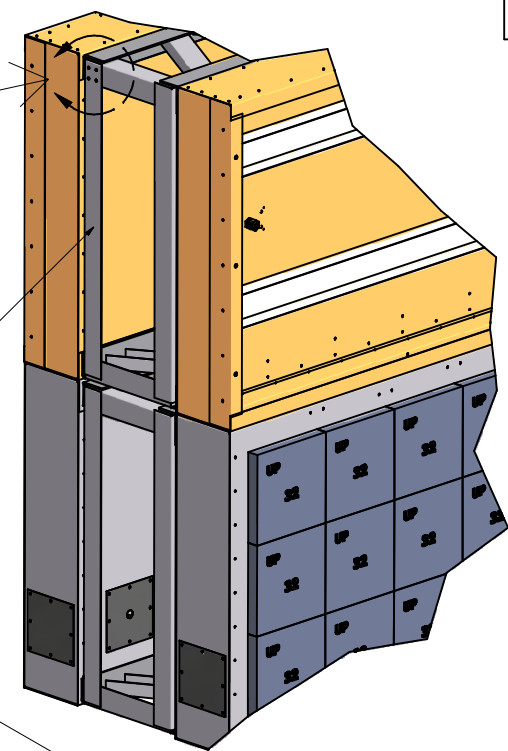
Drill screw small angle pieces (both sides) to frame as shown set in approx. 1/8" from end of display.

Rivet vertical angles to small angles using (4) 1/8" rivets top and bottom (supplied by Nevco)



DETAIL Vertical Angle

Mount vertical angle pieces to small angles as shown using (4) 1/8" pop rivets at each joint.



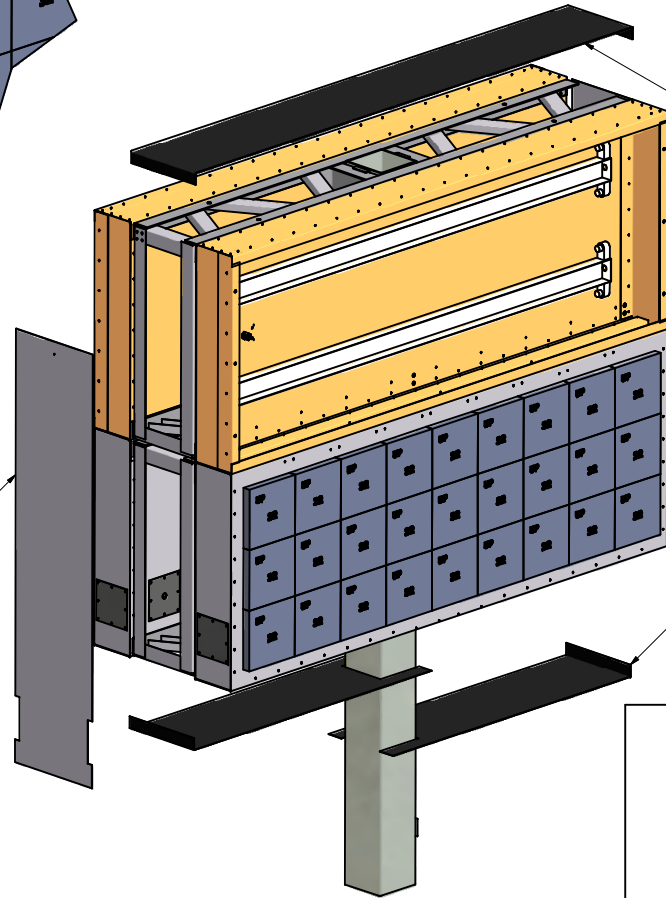
STEP TWO

Drill screw top trim piece to frame:
 - Trim fits between cabinets.
 - Drill screw every 10 inches both sides.
 - Caulk both seams

Note: Mount top and bottom trim pieces after mounting side trim.

Install Side Trim:
 - Drill screw to vertical angles
 - Drill screw every 10 inches
 - Mount before mounting top and bottom pieces

Drill screw bottom trim pieces to frame:
 - Trim fits between cabinets
 - Drill screw every 10 inches



STEP THREE

Installation of
 Marquee Style
 Message Center
 and Sign



Nevco, Inc.
 Greenville, Illinois 62246

Drawing No. DWG-0171

Drawn BRS Date 02/03/11

Sheet of 8 8